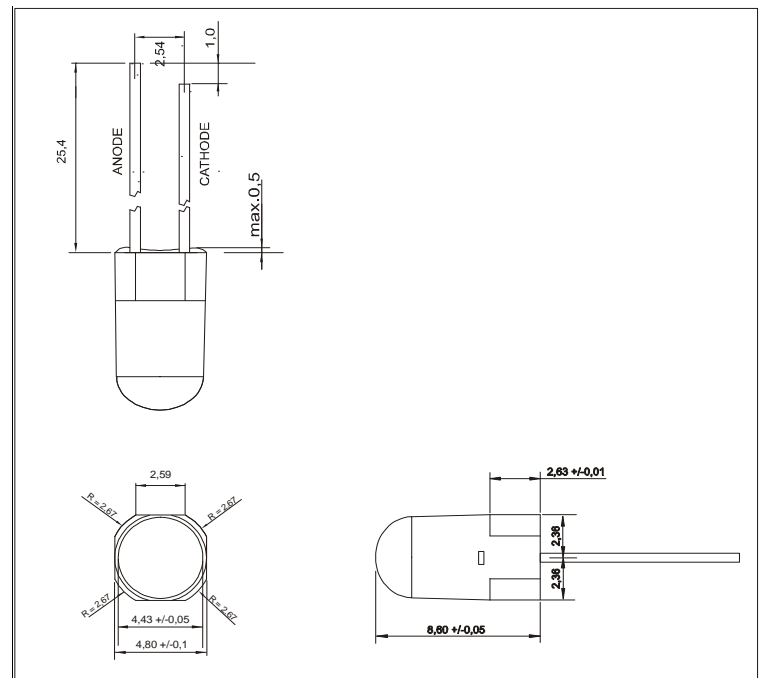


Infrared LED**850nm****FQR65592BAB****Features**

- * Standard design LED for general purpose
- * Fast switching time : typical <25ns
- * High power for SMT case with typ. 5°full angle tape&reeled for automatic placing FQS65592BAB
- * Water-clear package style
- * Mountable in 5,0 mm raster
- * Spectral and mechanical matched to FSR68XX - serie Phototransistor and FSS78XX and FSS79XX photodiodes
- * Application : Open-Air communication / IrDa
IR-Flash-Lights
Medical instruments
Light interrupter and switches

**Electrical and optical characteristics and absolute maximum ratings (Ta=25°C unless otherwise noted)**

Symbol	Parameter	MIN	Typ	MAX	Unit	Test conditions
I _F	DC Forward current			100	mA	
I _{PEAK}	Peak Forward current			1000	mA	T _p < 10μsec. ; T=1:100 ; R _{therm} < 100 K/W
V _F	Forward Voltage	1,3	1,5	2,1	V	I _F = 100mA
V _R	Reverse Voltage	5			V	I _{rev} = 100μA
λ _{Peak}	Peak Wavelength	840	850	870	nm	I _F = 50mA
Δλ _{0,5}	Bandwidth of half power	25	30		nm	I _F = 50mA
t _f	Fall time		25		ns	I _F = 100mA
t _r	Rise time		25		ns	I _F = 100mA
Φ _E	Total Power Output	40	48		mW	I _F = 100mA
I _E	Radiant Intensity (cone angle)	190	210		mW/sr	I _F = 100mA
2Φ _{0,5}	Emission Angel	4	5	6	deg.	Φ _E = 50%
TK _{VF}	Temp.Coeff. of Forward Voltage		- 2		mV/K	
TK _F	Temp.Coeff. of Radiant Power		- 0,4		%/K	
T _{Operating}	Operating Temperature	- 25		85	°C	
T _{Storage}	Storage Temperature	- 25		85	°C	
T _{Soldering}	Soldering Temperature			260	°C	2mm from case @5 sec.
Θ _{j-PIN}	Thermal Resistance		450		K/W	
P _{tot}	Total Power Dissipation			230	mW	derate above 45°C 2,5mW/K

Order Informations :

FQR65592BAB-XX--BU
FQR65592BAB-XX--TRBulk (1000 pcs./Bag)
Taped and Reeled (1000pcs./reel)
TR on request

Fietje reserves the right to make changes at any time in order to improve design and to supply the best product possible, contact Fietje for latest device specification sheets before using.