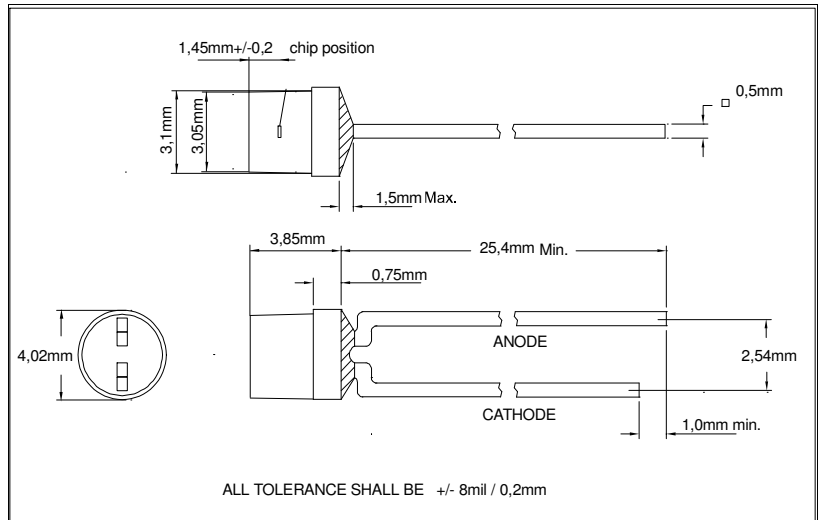


PIN-Photodiode

FST3821

Features

- * T1 (3mm) PIN-photodiode for general purpose
Based on Silicon- Photodiode
- * High responsivity with typ. 0,55 A/W
- * Daylight filtered black housing
- * mechanical matched with FQT5580/ FQT5581
- * Water-clear version :FST3820



Electrical and optical characteristics and absolute maximum ratings (Ta=25°C unless otherwise noted)

Symbol	Parameter	MIN	Typ	MAX	Unit	Test conditions
I _{Light}	Reverse Light Current	1,2	2		µA	I _e =0,5mW/cm ² @940nm
I _{DARK}	Reverse Dark Current		2	10	nA	V _R =10V; I _e =0 mW/cm ²
I _{short}	Short Circuit Current		15		µA	I _e =1mW/cm ² @940nm
V _{RM}	Reverse Voltage			50	V	
V _{forward}	Reverse Breakdown Voltage	30			V	I _R = 100µA I _e =0mW/cm ²
V _{OC}	Open Circuit Voltage		440		mV	I _c =300µA; I _e =1mW/cm ² @940nm
λ _{Peak}	Peak Wavelength		900		nm	max. sensitivity
λ _{0,5}	Spectral range	750		1150	nm	I=10%
t _f	Fall time		10		ns	V _R =5V; R _L =50Ohm
t _r	Rise time		10		ns	V _R =5V; R _L =50Ohm
A	Active Array		0,74		mm ²	
2Φ _{0,5}	Response Angle		135		deg.	Φ _i = 50%
C _J	Junction Capacity		3	8	pF	V _R =3V; f=1 MHz; E _v =0
T _{Operating}	Operating Temperature	- 40		85	°C	
T _{Storage}	Storage Temperature	- 40		100	°C	
T _{Soldering}	Soldering Temperature			260	°C	5mm from case @5 sec.
Θ _{j-PIN}	Thermal Resistance		450		K/W	
P _{tot}	Total Power Dissipation			100	mW	

Order Informations :

FST3821

Fietje reserves the right to make changes at any time in order to improve design and to supply the best product possible, contact Fietje for latest device specification sheets before using.